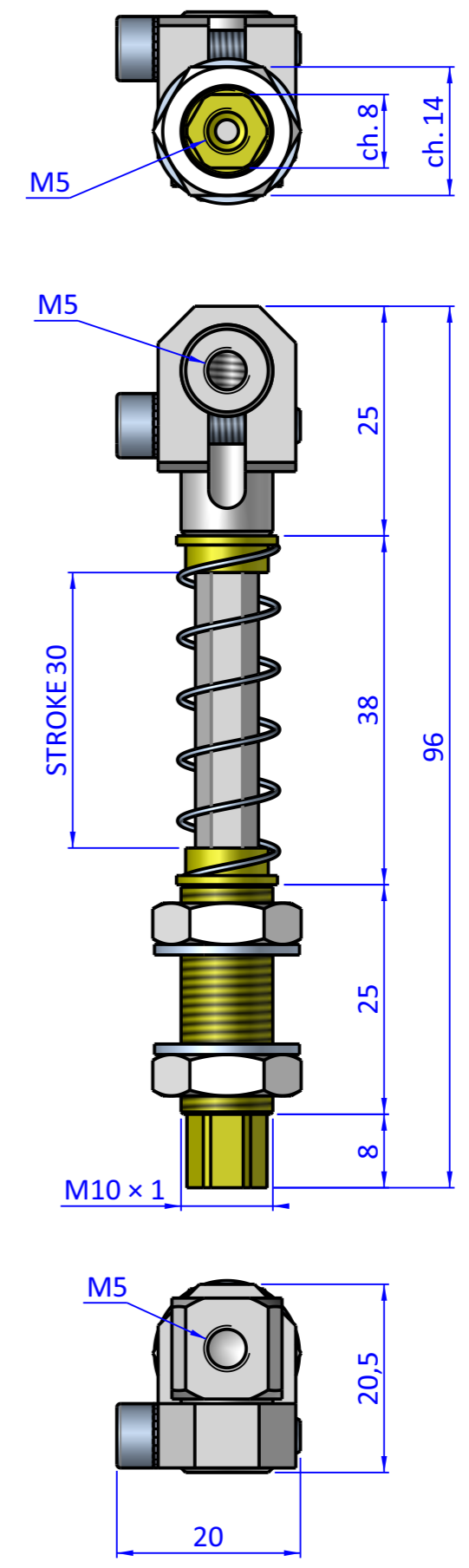
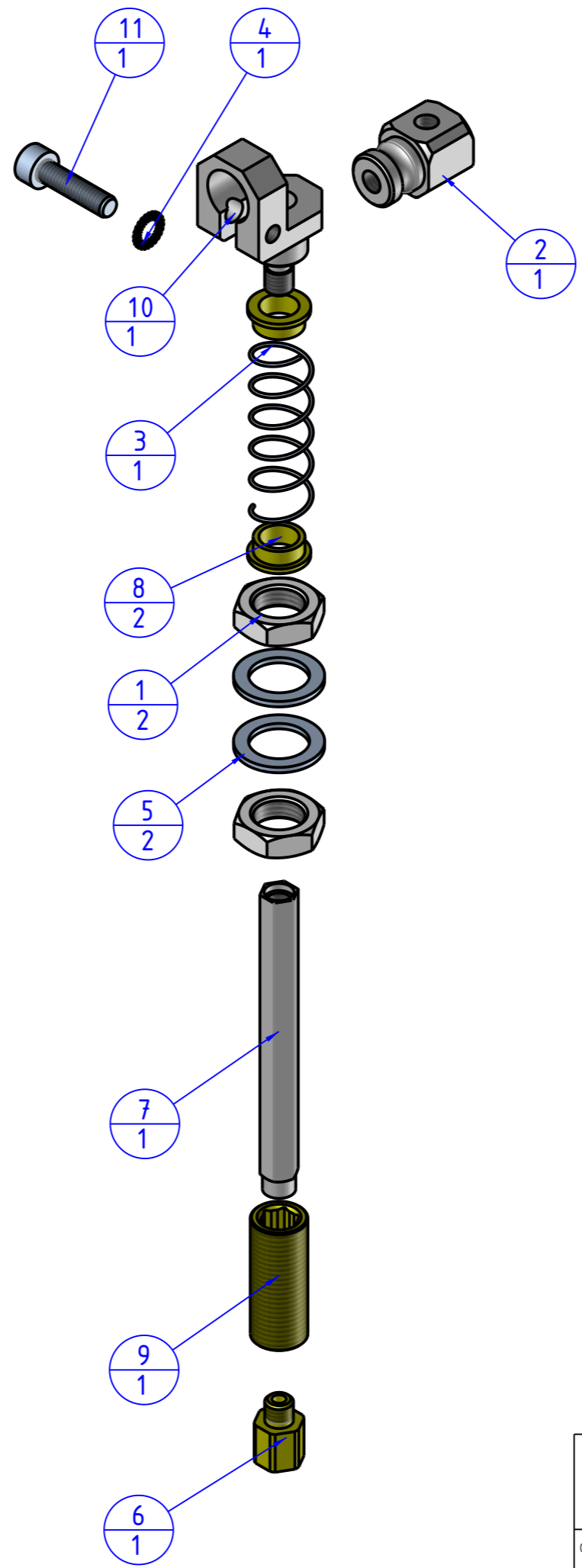



THE PROPERTY OF THE DRAWING IS ESTABLISHED BY LAW. IT IS FORBIDDEN TO PRODUCE OR SHOW IT TO THIRD PART, WITHOUT A WRITTEN AGREEMENT.

Item	Name	Q.ty
1	05.01.005.06	2
2	GGB.10.5.5	1
3	M.10.5x48B	1
4	R.4.SCH	1
5	R.10.SCH	2
6	SAE.10050510.1	1
7	SAE.10050530.1	1
8	SAE.10050510.4	2
9	SAEG.10050510.3	1
10	SSN.10100505.1	1
11	V.TCE4x16	1



Format A3  
UNI 936-76

 <b>FPS</b> FPSERVICES AUTOMATION		DESIGNED FROM		REVIEW
		FPS Automation		A
GENERAL TOLERANCE		DATE	WEIGHT	
UNI - ISO 2768		16/01/2024	0,036kg	
CLASSE f		CODE		
		CA.SASG.10050530		CA.SASG.10050530